

PureFlo



New Generation Filterless Receivers

Benefits:

Simple

- No plugged filter problems
- Simplified accessibility
- No maintenance
- Minimized cleaning

Efficient

- Improved loading capacity
- Elimination of cleaning cycles
- Abrasion resistant
- No powder pollution

Cost effective

- Minimal installation costs
- No spare parts
- Reduced cleaning activities
- No maintenance downtime



PureFlo eliminates the need for ordinary maintenance of the vacuum receiver (filter cleaning) and improves the conveying capacity of the overall system.

The plastic granule moves through the conveying pipes carried by an airflow generated at negative pressure by a vacuum unit. The velocity the plastic granule reaches during conveying varies between 15 metres/second at the pick-up point and 25 metres/second

at the end of the line.

In a conventional solution the plastic granule enters the receiver at the end velocity, ie 25 metres/second, and stops by hitting on the inner walls of the receiver body. The innovative and unique design of PureFlo allows the plastic granule not to keep its end velocity all the way into the receiver body but, through a Right Angle bend, to dissipate the entire kinetic force it picked up during conveyance.

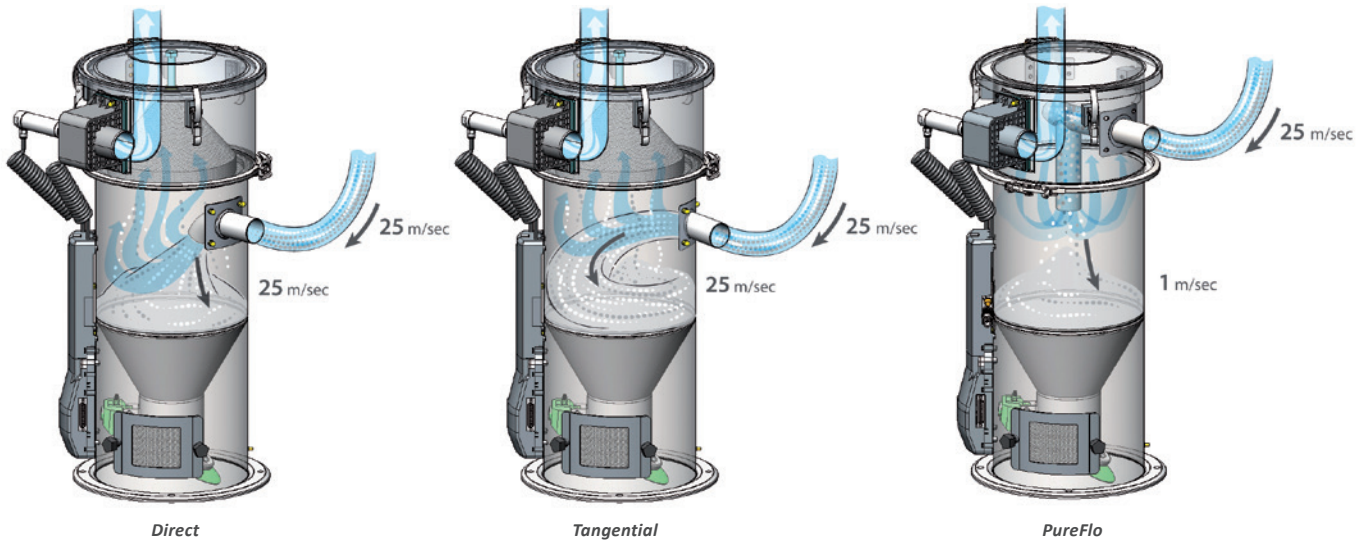


Piovan

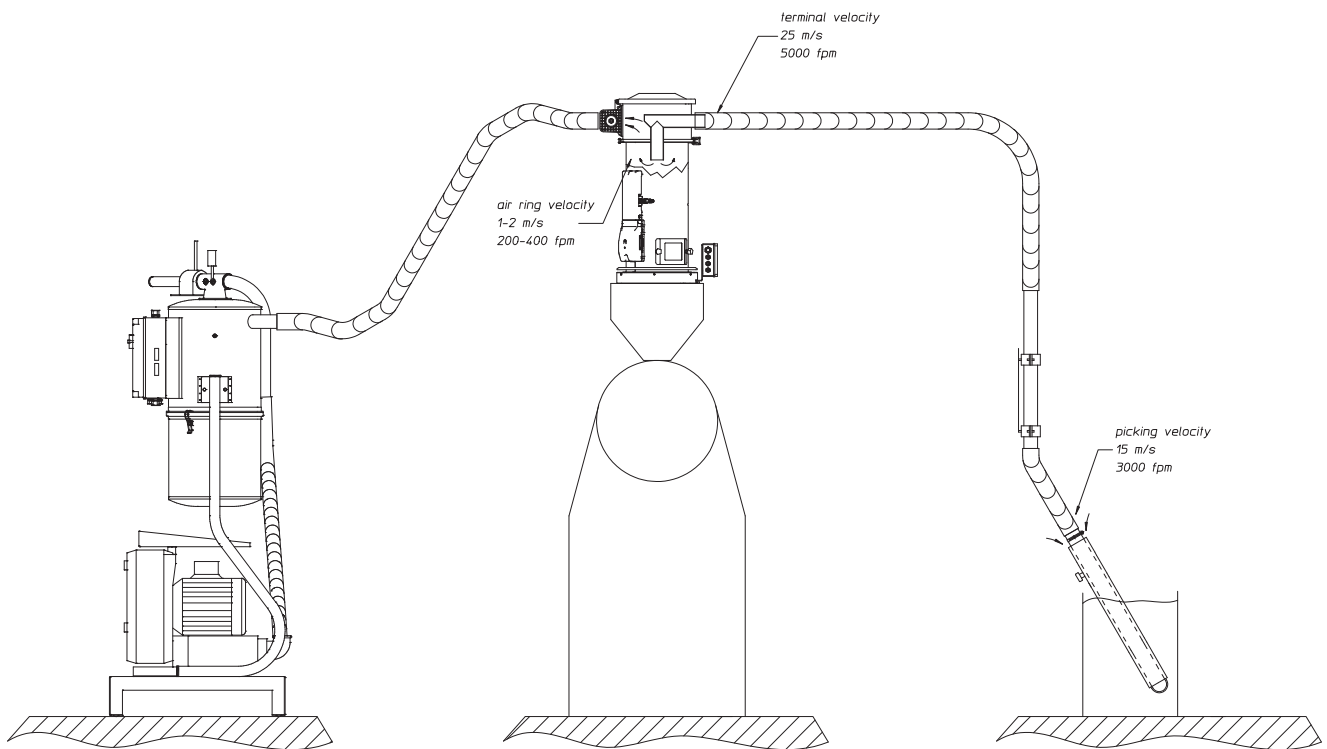
Customers. The core of our innovation

www.piovan.com

The plastic granule falls into the PureFlo receiver body at a velocity of 1 metre/second and drops all the way to the bottom of the receiver, as the air that has conveyed it loses pressure and velocity.



PUREFLO VELOCITY PATTERNS



TECHNICAL DATA		PF5	PF10	PF15	PF20	PF30	PF50	PF75
Volume	litres	5	10	15	20	30	50	75
Compressed air pressure	bar	6-8						
Compressed air use	litre/cycle	0,5						
Width	mm	380	380	520	380	520	520	520
Height	mm	605	695	730	920	840	960	1180
Mounting flange diameter	mm	280						
Material intake port	mm	40/50	40/50	40/50/60	40/50	40/50/60	40/50/60	40/50/60